



SUBMITTAL DATA – VRF Outdoor Unit

MDVC-V110W/DVN1

Mini VRF Cooling Only

Job: _____

Location: _____

Schedule No.: _____

System Designation: _____

Engineer: _____

Architect: _____

Date: _____

For: Reference Approval Review Construction

FEATURES

- All DC Inverter Technology
- Auto Addressing
- Anti-corrosion Protection (Optional)
- Wide Application Range
- Single Fan
- Easy Installation and Service
- Cooling Only

SPECIFICATIONS

PERFORMANCE

Cooling Capacity	Btu/h	37,500
	kW	11.0
Power Input	kW	2.75
EER	W/W	4.00
	Btu/W*h	13.6

ELECTRICAL DATA

Power Supply	V/Hz/Ph	220V, 1Ph, 50/60Hz
Min. Circuit Ampacity	A	23
Total Overcurrent Circuit Protection.	A	25
Max. Fuse Amps.	A	30
Compressor RLA	A	9.7
No. of Compressors	/	1
Outdoor Fan Power Input	W	90
Outdoor Fan FLA	A	1.0

GENERAL DATA

Connection Ratio	%	45% to 130%
Max. # of Indoor Units	/	6
Sound Pressure Level	dB(A)	54
Outdoor Fan Air Volume	m ³ /h(CFM)	3,400(2000)
Refrigerant type	/	R410A
Factory refrigerant charge	kg(lbs.)	1.4(3.1)

DIMENSIONS

Unit Dimensions mm(in.)	Height	862(33-15/16)
	Width	973(38-5/16)
	Depth	302(11-7/8)
Liquid Pipe Connection	mm(in.)	Φ9.52 (Φ3/8)
Gas Pipe Connection	mm(in.)	Φ15.9 (Φ5/8)
Net Weight	kg(lbs.)	58 (128)
Shipping Weight	kg(lbs.)	63 (139)

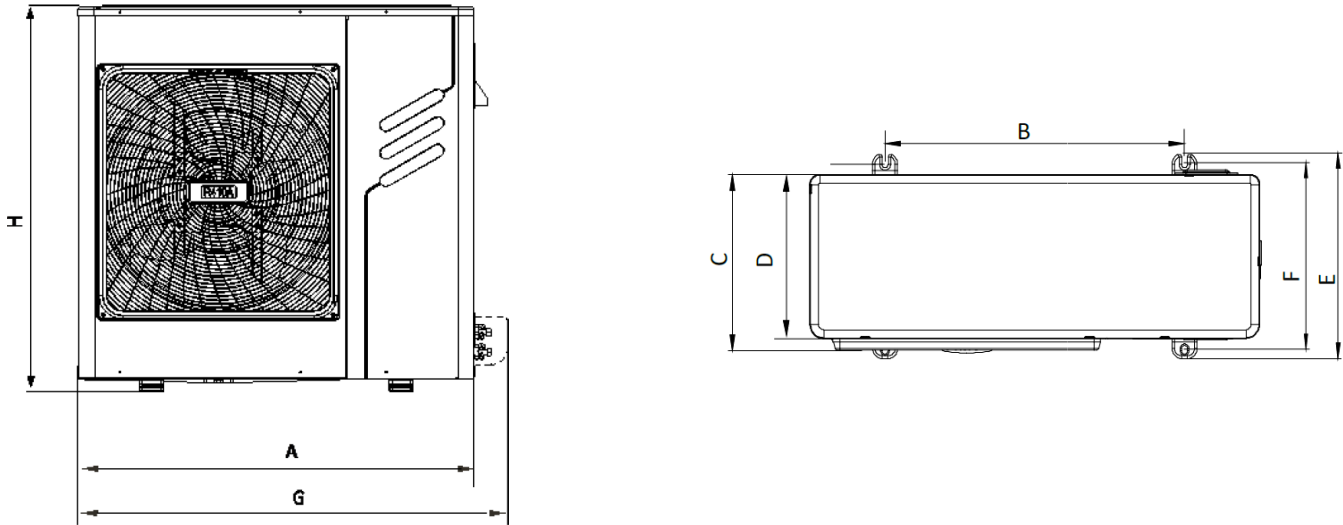


OPTIONAL ACCESSORIES

1. Cooling Capacity data is rated at the following conditions:
80.6°FDB / 66.2°FWB Indoor, 95°FDB Outdoor;
2. Sound pressure level is measured at a position 1m (3.28ft.) in front of the unit and 1.3m (4.26ft.) above the floor in a semi-anechoic chamber

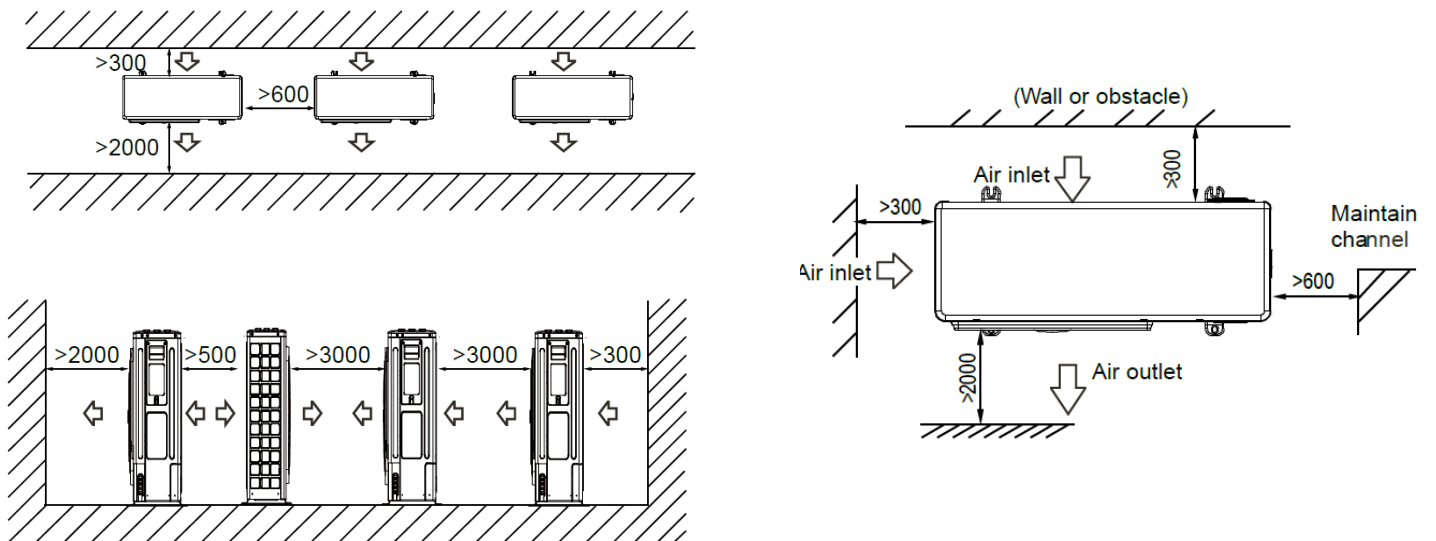
NOTE – Due to Midea' ongoing commitment to quality, Specifications, Ratings and Dimensions subject to change without notice and without incurring liability. Improper installation, adjustment, alteration, service or maintenance can cause property damage or personal injury. Installation and service must be performed by a qualified installer and servicing agency.

DIMENSIONAL DRAWINGS (mm)



Model	A	B	C	D	E	F	G	H
7.2/9.2/11.0	895	590	346	302	355	333	973	862

INSTALLATION SPACE REQUIREMENT (mm)



NOTE – Due to Midea' ongoing commitment to quality, Specifications, Ratings and Dimensions subject to change without notice and without incurring liability. Improper installation, adjustment, alteration, service or maintenance can cause property damage or personal injury. Installation and service must be performed by a qualified installer and servicing agency.